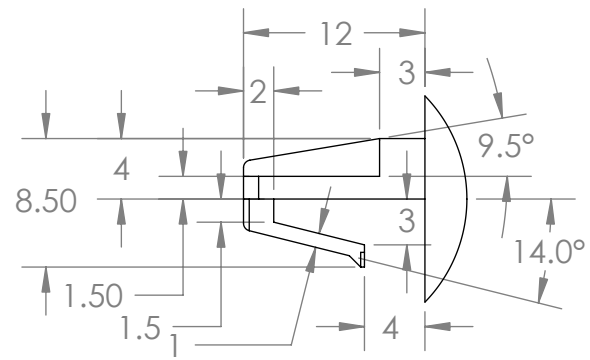
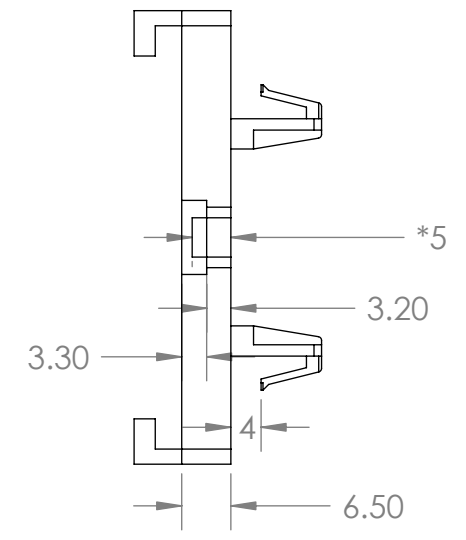
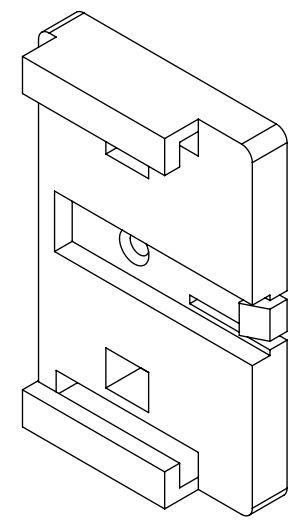


DETAIL B
SCALE 2 : 1



DETAIL A
SCALE 2 : 1

Hardware
HR
Resources

HARDWARE RESOURCES
4319 MARLENA ST, BOSSIER CITY, LA71111

PART NAME: UNDERMOUNT BRACKET		TOLERANCES	
ITEM NO: USE		OVER ALL LENGTH ±0.1MM	
DATE: 1/26/07		ANGLES ±0° 30'	
SHEET: 1/2	BY: UBN	MATERIAL: ABS	
		PLATING:	